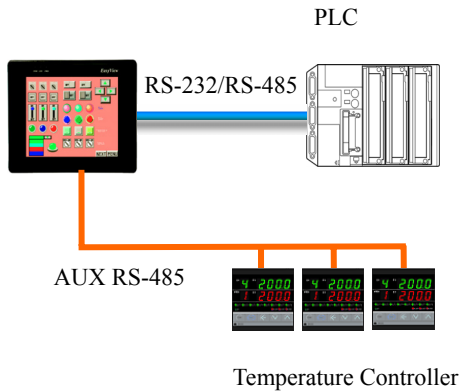
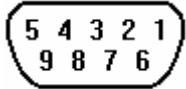


Aux port function

EB500 V2.6.0 support the MT500 E4 series use the Aux port to connect second device. Communicate to Temperature Controller, Inverter and Distributed I/O.



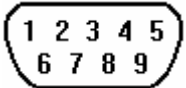
Pin Designations Pin assignment of the 9 Pin, Female, SUB-D, **PLC [RS-232]** Port.



PLC [RS-232]

Pin#	Symbol	PLC [RS232]	AUX[RS232] (only E4 series)
1	Aux TxD		Transmitted Data
2	TxD	Transmitted Data	
3	RxD	Received Data	
4	Not used		
5	GND	Signal Ground	
6	Aux RxD		Received Data
7	CTS	Clear to send input	
8	RTS	Ready to send output	
9			

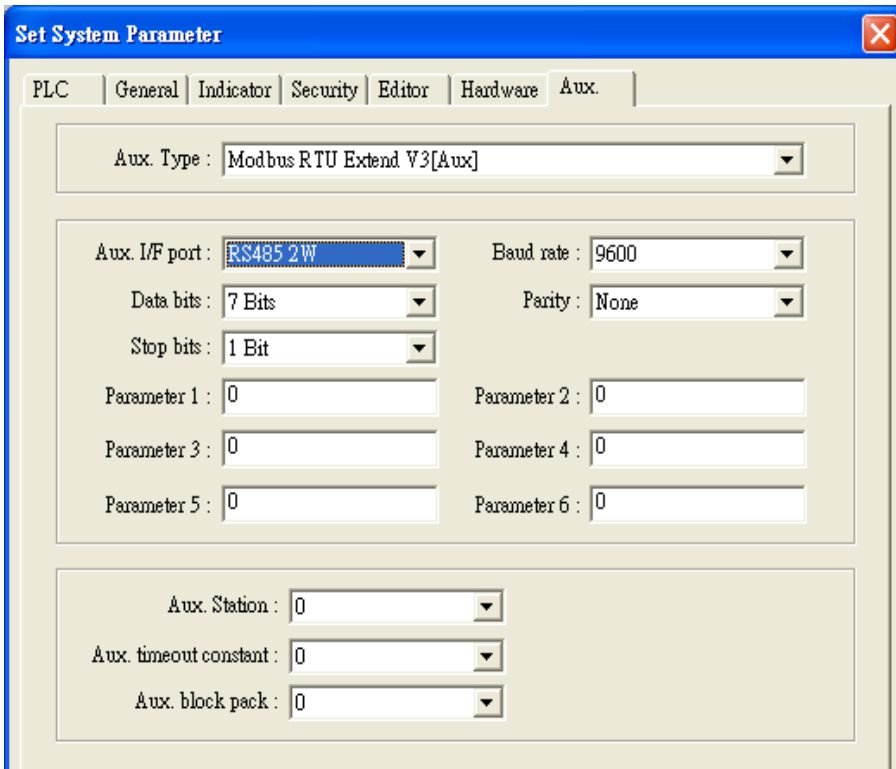
Pin Designations Pin assignment of the 9 Pin, Male, SUB-D **PC [RS-232] & PLC [RS-485]** Port. (Only MT5XXXE4 has **AUX RS485**)



PC [RS-232] &
PLC [RS-485]

Pin#	Symbol	PLC[RS485] 4 wire	PLC[RS485] 2 wire	Aux[RS485] (E4 series)	PC[RS232]
1	Rx-	Rx-	Data-		
2	Rx+	Rx+	Data+		
3	Tx-	Tx-			
4	Tx+	Tx+			
5	GND	Signal Ground			
6	Data-			Data-	
7	TxD				Transmit
8	RxD				Receive
9	Data+			Data+	

In V2.6.0 **Set System Parameter / Aux.** dialog set the Aux port driver and communication parameter.



Aux. Type



Select the Aux pds driver; now only support Modbus RTU protocol. Future, we will develop other protocol driver. Just copy the new Aux pds driver to EB500\Drivers folder the EB500 will find the new driver.

Aux. I/F port

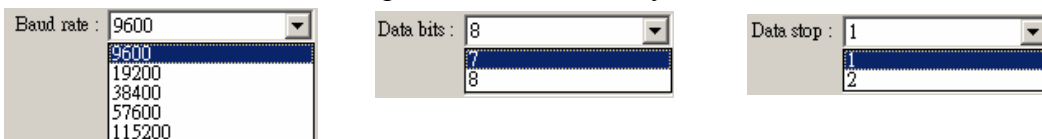


Select **Aux RS232** port or **Aux RS485 2w** port.

Communications Setting:

Data bits, Stop bits, Baud rate and Parity

Set the communications parameters to match your PLC



Parameter 1~6

Undefined, depend on the driver.

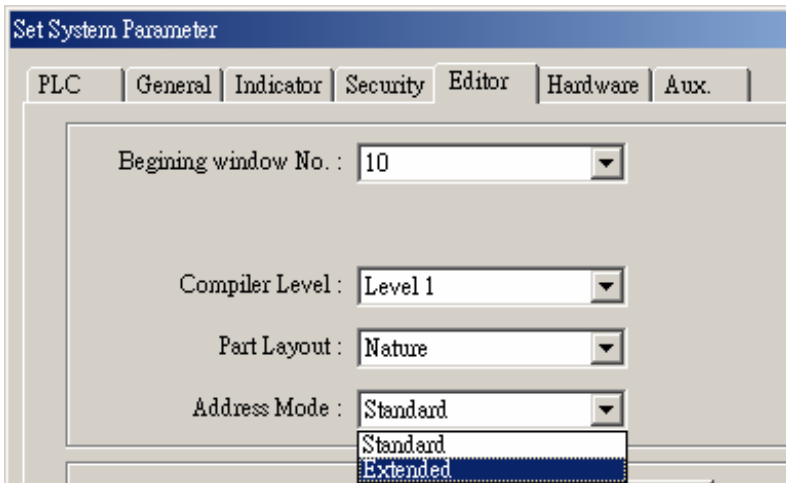
Aux Station: Used when Aux device have a node or station identifier. The MT-500 needs the station number to initiate communications. Set as needed or leave at 0 if not used. Station numbers are 0-127 (Use the range as appropriate for PLC type).

Aux. Station : 0

If use the Extended address mode, MT-500 will ignore the Aux Station setting.

Note: Extended address mode.

When more than one Aux device is connected. Select the Extneded address mode in [Editor] tab.



Aux. timeout constant: This setting determines how long the MT-500 will wait for a response from the Aux device. The range is from 0 to 127 seconds.

Aux. timeout constant : 0

Aux. block pack: Used to determine how the unit will communicate to the Aux device. By increasing this number, larger blocks of registers can be fetched from the Aux device. In some cases this speeds the update of information on the display.

Aux. block pack : 0

Turn Around Delay:

The AUX port turn around delay setting is same as PLC port setting. In **System Parameters / PLC / Parameter 2**, set the turn around delay time for PLC and AUX port. (Range: 0~1000, Unit: about 10ms.)

Entering an Aux read or write address.

Select the check box to use Aux device type.

General Numeric Shape Font

Description :

Read address

Device type : 4x Device address : 1#1

BIN No. of words : 1

Aux.

Trigger address :

Device type : LB Device address : 9000

Aux.

Enter Extended address for Multiple Aux devices.